

I-210™ Singlephase Meter

Uncompromised Advanced Technology at an Affordable Price

GE Energy's I-210™ Singlephase Meter is an electronic watt-hour meter designed for measuring energy consumption in singlephase services. The I-210 meter's advanced design is a powerful combination of accuracy, affordability and reliability.

With the I-210 meter, GE Energy is proudly continuing its longstanding commitment to the utility industry to design metering products that deliver operational efficiency and reliable measurement. As the cost of energy continues to rise, utilities require more precise and accurate measurement techniques.

The I-210 meter delivers high quality, solid-state measurement performance, affordability, accuracy and reliability through its innovative sensor design and mechanical construction. The I-210 meter meets or exceeds GE's uncompromising standards for operation from -40°C through $+85^{\circ}\text{C}$. The I-210 meter is available in all the popular meter forms for measuring energy consumption in 2-wire or 3-wire transformer-rated or self-contained residential or commercial singlephase services.

Features and Advantages of the I-210 Singlephase Meter

- Uncompromising GE performance
- Simplified sensor design and mechanical construction for reliability
- Promotes equitable customer billing through stable, accurate, electronic design
- Low starting watts captures energy consumption at levels typically not registered by electromechanical meters
- Low burden minimizes utility system losses
- Tamper-resistant design minimizes theft-of service. Programmable to register energy when meter inverted.
- Large, easy to read LCD display minimizes reading errors
- Operates over a broad temperature range (-40°C through $+85^{\circ}\text{C}$)
- Factory programming minimizes handling and boosts operational efficiency
- Compatible with existing I-70 cover stock to minimize utility cover inventory
- Compact, cost-effective construction saves space and simplifies installation and handling
- Performance meets or exceeds industry standards (ANSI® C12.1, C12.10, C12.20, C37.90.1)
- Models available for 120 or 240 volt CL 20, CL 100, CL 200, CL 320 applications. 50 or 60 Hz operation.
- Designed to be compatible with existing utility operational practices



Specifications

Available Models:

ANSI form 1S, 2S, 3S, 4S

CL 20, CL 100, CL 200, CL 320

120v, 240v models available 50 or 60 HZ

Applicable Standards – Meets or exceeds:

ANSI C12.1, C12.10, C12.20, C37.90.1

Operating Range:

Voltage: +10% -20% of Rated Voltage
(120v or 240v)

Temperature: -40°C through +85°C

Typical Starting Watts: ≤ 5.0 Watts

Typical Watts Loss: 0.5 Watts

Typical Accuracy: Within +/- 0.2%

Ordering Information

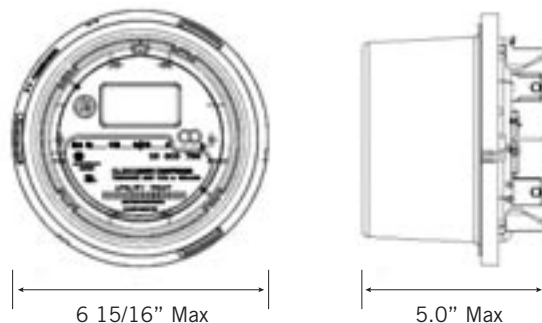
| Circuit-type | Meter Class | Volts | Test Amps | Wathour Constant (kt) | Meter Form Number | LCD Display Presentation | GE Meter catalog number w/Glass Cover (Note 1) | GE Meter catalog number w/Polycarbonate Cover (Note 1) |
|--------------|-------------|-------|-----------|-----------------------|-------------------|--------------------------|--|--|
| 2-Wire | 20 | 120 | 2.5 | 0.05 | 3S | 5x1-digit | 726X300005 | 726X300001 |
| 2-Wire | 20 | 120 | 2.5 | 0.05 | 3S | 4x10-digit | 726X300006 | 726X300002 |
| 2-Wire | 20 | 240 | 2.5 | 0.1 | 3S | 5x1-digit | 726X300007 | 726X300003 |
| 2-Wire | 20 | 240 | 2.5 | 0.1 | 3S | 4x10-digit | 726X300008 | 726X300004 |
| 3-Wire | 20 | 240 | 2.5 | 0.1 | 4S | 5x1-digit | 726X400003 | 726X400001 |
| 3-Wire | 20 | 240 | 2.5 | 0.1 | 4S | 4x10-digit | 726X400004 | 726X400002 |
| 2-Wire | 100 | 120 | 15 | 0.25 | 1S | 5x1-digit | 726X100005 | 726X100001 |
| 2-Wire | 100 | 120 | 15 | 0.25 | 1S | 4x10-digit | 726X100006 | 726X100002 |
| 2-Wire | 100 | 240 | 15 | 0.5 | 1S | 5x1-digit | 726X100007 | 726X100003 |
| 2-Wire | 100 | 240 | 15 | 0.5 | 1S | 4x10-digit | 726X100008 | 726X100004 |
| 3-Wire | 200 | 240 | 30 | 1.0 | 2S | 5x1-digit | 726X200002 | 726X200001 |
| 3-Wire | 320 | 240 | 50 | 2.0 | 2S | 5x1-digit | 726X500002 | 726X500001 |

Note 1: Catalog number includes display of kWh quantity ("delivered + received" energy accumulation). Optionally, the meter may be factory programmed to include display of "instantaneous power" by ordering similar to catalog number from list (i.e. 726X200001)...except with "instantaneous power" display.

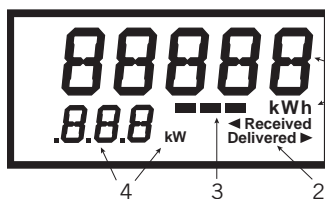
Shipping Weight

| Approximate Weight | Glass Cover | Polycarbonate Cover |
|--------------------------------|-------------|---------------------|
| Individual Meter | 2.7 lbs | 1.7 lbs |
| 4 - Meter Pack Shipping Carton | 12 lbs | 8 lbs |
| Pallet (Qty 96 Meters) | 315 lbs | 214 lbs |

Dimensions



LCD Display – 4 or 5 digit (0.5" height)



1. kWh Display – Selectable 4 or 5-digit Presentation
2. Energy Flow Direction Indicators
3. Disk Analog – Indicates Energy Flow Rate
4. Selectable 3-digit Display of Instantaneous Power (kw)

Contact

For more information, contact your GE Energy sales representative or visit www.gepower.com.

